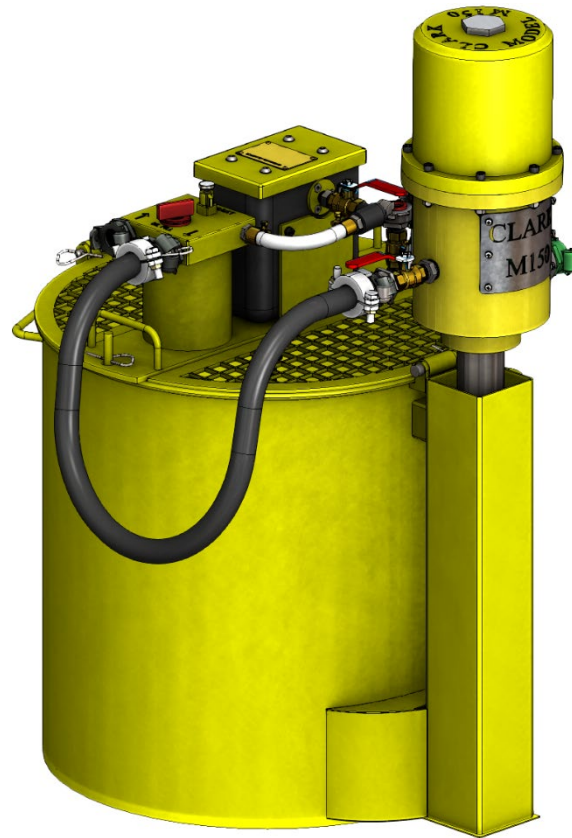




01GP CLARK GROUT PUMPS & MIXERS

PRODUCT DATA SHEET



Left: Standard M150 grout pump and 150 litre mixer which includes the Eagle Mk2 air powered mixer motor with on board lubricator.

01GP CLARK GROUT PUMPS & MIXERS

The pneumatic range of Clark Grout Pump and Mixers have been used in coal mining and civil construction applications for more than twenty years. The grout pump can be utilized for various applications. These include: pressure injection of cable bolts for roof and strata support; void filling of strata, either to atmosphere or injected with the Clark grout packer; spraying of ventilation stoppings in coal mines; spraying concrete on pylons and bridge repairs and also slab jacking.

The grout pump options can be used in combination with the Clark Grout Mixers. Two different capacity mixers are available. The 150 litre capacity mixer is the most common size for easy handling in confined areas. For larger mixes, the 500 litre capacity mixers yield around 300 litres of grout per batch and have been used in many civil construction applications such as the strengthening of Sydney Airport runway.

For underground coal applications such as cable bolting using Stratabinder or similar type grout, the M150 with the Mk2 mixer is recommended.

For thicker grouts such as thixotropic grouts, the M150 with a thixotropic mixer is preferred.

APPLICATIONS

- Cable bolting
- Spraying
- Void filling
- Slab jacking

Associated Clark products:

- Grout spray gun
- Drill rig
- Eagle Rib drill
- Grout packer
- Grout and air hose
- Lubricator

Options:

- 150 or 500 litre capacities
- Thixotropic bowl or flat bottom
- Standard or high torque mixer
- Standard flow or high flow pump

Ph: +612 4272 8311
Fx: +612 4272 8533
30 Waverley Drive
Unanderra NSW 2526
sales@clarksmineingservices.com.au

Designers and manufacturers of
mining and construction equipment

ABN: 42 050 287 173 ACN 050 287 173
Kalgara Pty Ltd

www.clarksmineingservices.com.au

goo.gl/q0oy4K





01GP CLARK GROUT PUMPS & MIXERS

PRODUCT DATA SHEET

GROUT PUMP SPECIFICATIONS

	M150P	M150	M150EQ	D150
Motor Piston Ømm	150	150	150	150
Weight kg	16.6	17	19	18
Length mm	1056	1090	1095	1156
Maximum Flow l/min	20	60	110	60
Maximum discharge Pressure kPa	5100	3500	1900	3500
Maximum air supply m3/h	50	50	50	50
Discharge Port mm BSP	25	25	40	25



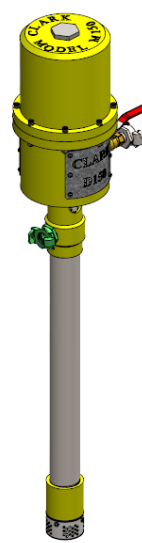
M150P



M150



M150EQ (GP500)



D150



M150 with optional stroke counter

Ph: +612 4272 8311
 Fx: +612 4272 8533
 30 Waverley Drive
 Unanderra NSW 2526
 sales@clarksminingservices.com.au

Designers and manufacturers of
 mining and construction equipment



ABN: 42 050 287 173 ACN 050 287 173
 Kalgara Pty Ltd

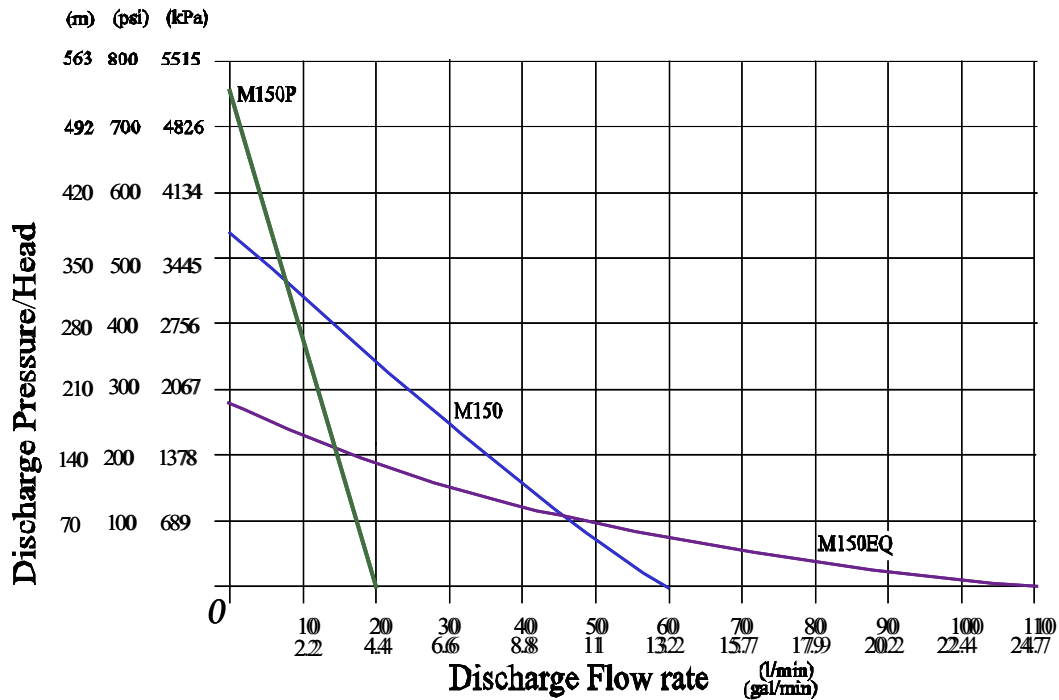
www.clarksminingservices.com.au

goo.gl/q0oy4K



01GP CLARK GROUT PUMPS & MIXERS

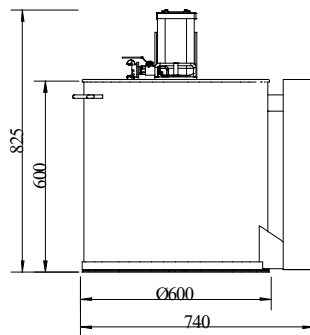
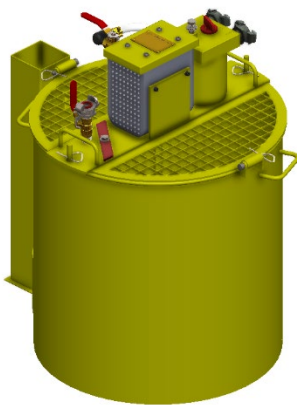
PRODUCT DATA SHEET



M150, D150 & M150EQ Grout pump performance at 689 kPa air pressure, pumping water.
 M150P Grout pump performance at 600kPa air pressure pumping water

MIXERS

01 GP 406 MK2 MIXER



Capacity	150 L
Bottom	Flat
RPM	1200 Max
Starting torque	27 Nm
Air Consumption	37 L/sec
Use with Clark Grout Pump	M100 M150 M150EQ
Weight	42kg

Ph: +612 4272 8311
 Fx: +612 4272 8533
 30 Waverley Drive
 Unanderra NSW 2526
 sales@clarksmineingservices.com.au

Designers and manufacturers of
 mining and construction equipment



ABN: 42 050 287 173 ACN 050 287 173
 Kalgara Pty Ltd

www.clarksmineingservices.com.au

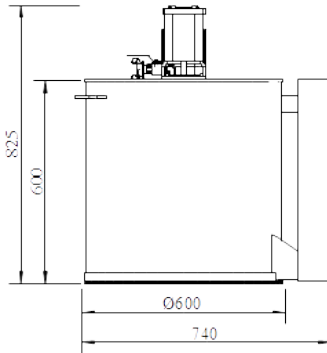
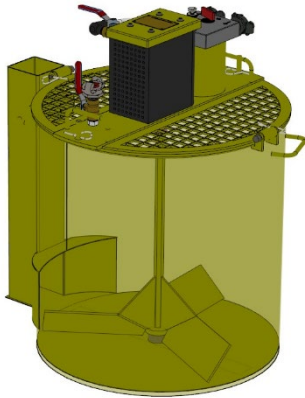
goo.gl/q0oy4K



01GP CLARK GROUT PUMPS & MIXERS

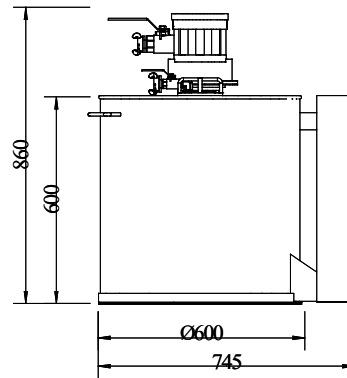
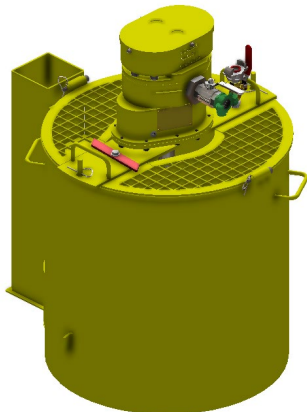
PRODUCT DATA SHEET

01 GP 407 MK2 THIXO MIXER



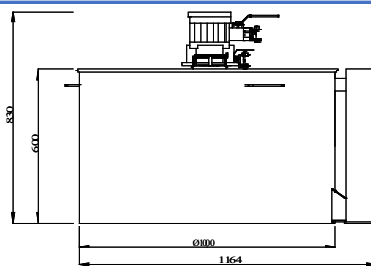
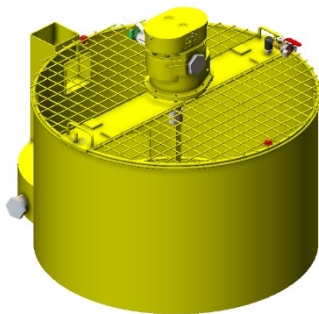
Capacity	150 L
Bottom	Flat
RPM	260 Max
Starting torque	279 Nm
Air Consumption	37 L/sec
Use with Clark Grout Pump	M100 M150 M150EQ M150P
Weight	42kg

01 GP 490 THIXO MIXER



Capacity	150 L
Bottom	Dome
RPM	600 Max
Starting torque	235 Nm
Air Consumption	120 L/sec
Use with Clark Grout Pump	M100 M150 M150EQ
Weight	62 kg

01 GP 900 THIXO MIXER



Capacity	500 L
Bottom	Dome
RPM	600 Max
Starting torque	235 Nm
Air Consumption	120 L/sec
Use with Clark Grout Pump	M100 M150 M150EQ
Weight	80 kg

Ph: +612 4272 8311
 Fx: +612 4272 8533
 30 Waverley Drive
 Unanderra NSW 2526
 sales@clarksmineingservices.com.au

Designers and manufacturers of
 mining and construction equipment

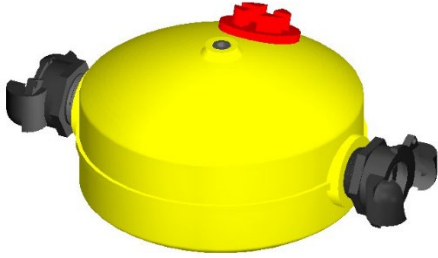

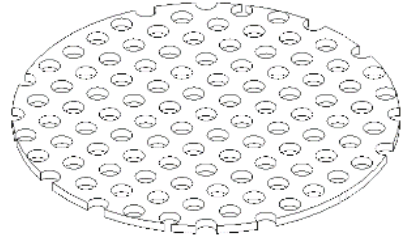





01GP CLARK GROUT PUMPS & MIXERS

PRODUCT DATA SHEET

ACCESSORIES

	Part No.	DETAILS
Air line lubricator 	05 MIN 20	Adjustable jet Steel body 1.25 litre capacity
Hose Assembly Air and Delivery 	24HG002 24HG007 24HG011 24HG011P	FRAS Air Hose 20m, 20bar (300psi) FRAS Air Hose 1m, 20bar (300psi) FRAS Air/Water Hose 20m,35bar(525psi)Rub FRAS Air/Water Hose 20m,35bar(525psi) Poly
Filter Discs 	06AL00	Fits inside air hose coupling to filter out dirt
Safety Clips 	05MIN49	Used to retain snap couplings on hoses

Ph: +612 4272 8311
 Fx: +612 4272 8533
 30 Waverley Drive
 Unanderra NSW 2526
 sales@clarksmineingservices.com.au

Designers and manufacturers of
 mining and construction equipment

