



46AM01 WEDGETAIL AIR MOTOR

PRODUCT DATA SHEET



46AM01 WEDGETAIL AIR MOTOR

The Wedgetail air motor is a robust 6 vane air motor generating high starting torque and high power. The Wedgetail is flange mounted with a variety of output shafts to suit different applications. The all steel exterior makes it ideal for use in mining or explosive environments. With a 6 bar air supply, the Wedgetail will produce over 30 kW and 130Nm of torque. The Wedgetail is directional and the speed can be variably controlled to 3500rpm. The efficiency of the Wedgetail allows it to produce more power than competing radial piston and gear motors, whilst consuming significantly less air.

The performance and reliability of the Wedgetail air motor has been proven in the underground mining industry in Australasia.

APPLICATION

- Civil
- Mining
- Air track drill rigs
- Power packs
- Winches

FEATURES

- Steel construction
- High efficiency
- High starting torque
- Variable speed
- 6 vane
- 2" BSP inlet

Ph: +612 4272 8311
Fx: +612 4272 8533
30 Waverley Drive
Unanderra NSW 2526
sales@clarksmineingservices.com.au

**Designers and manufacturers of
mining and construction equipment**

ABN: 42 050 287 173 CAN 050 287 173
Kalgara Pty Ltd

www.clarksmineingservices.com.au

goo.gl/q0oy4K

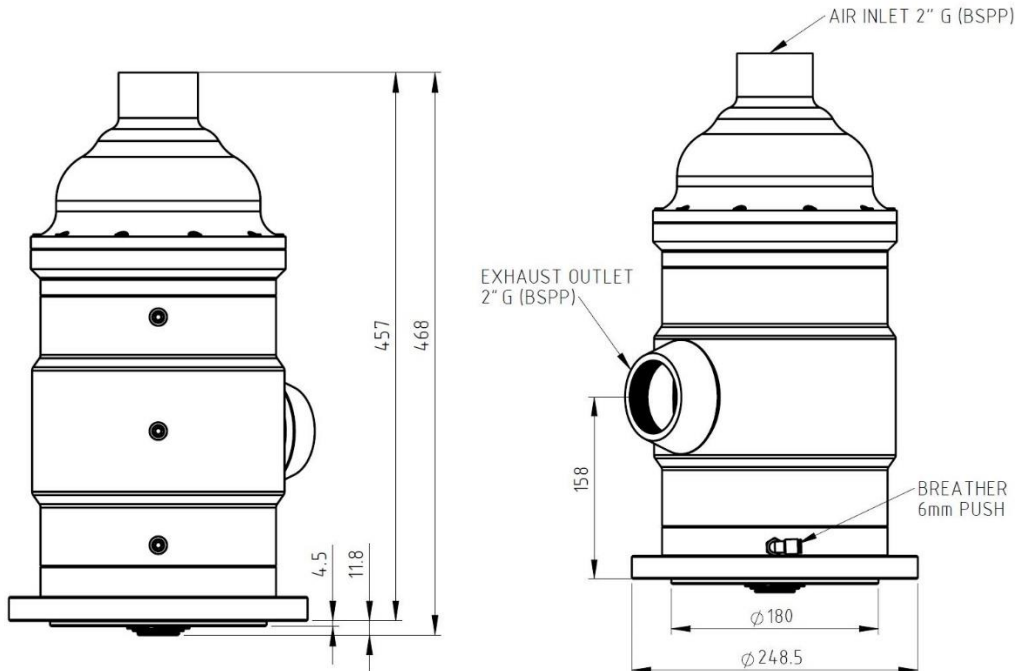




46AM01 WEDGETAIL AIR MOTOR

PRODUCT DATA SHEET

VARIANT	Wedgetail 30	Wedgetail 25	Wedgetail 20
POWER (@6 bar)	30+ kW	25kW	20kW
SPEED AT MAXIMUM POWER	3300 RPM	2350 RPM	1800 RPM
STARTING TORQUE (@6 bar))	130Nm	130Nm	130Nm
MAXIMUM FREE SPEED (RPM)	4000 (Continuous) 6000 (Intermittent)	3500 (Limited)	3000 (limited)
MAXIMUM AIR CONSUMPTION	900 SCFM	750 SCFM	600 SCFM
ACOUSTIC LEVEL	88 dB(A) with Clark Owl muffler		
WEIGHT	69 kg		
DIMENSIONS	427mm x 249mm x 262mm		
FILTRATION REQUIRED	40 micron		
REQUIRED AIR LUBRICATION	Air Tool Oil ISO32		
MAXIMUM AIR SUPPLY PRESSURE	8 bar		



Ph: +612 4272 8311
 Fx: +612 4272 8533
 30 Waverley Drive
 Unanderra NSW 2526
 sales@clarksminingservices.com.au

**Designers and manufacturers of
 mining and construction equipment**



ABN: 42 050 287 173 CAN 050 287 173
 Kalgara Pty Ltd

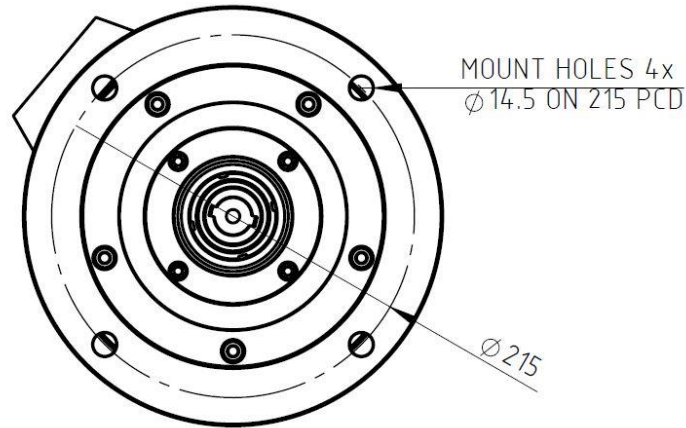
www.clarksminingservices.com.au

goo.gl/q0oy4K

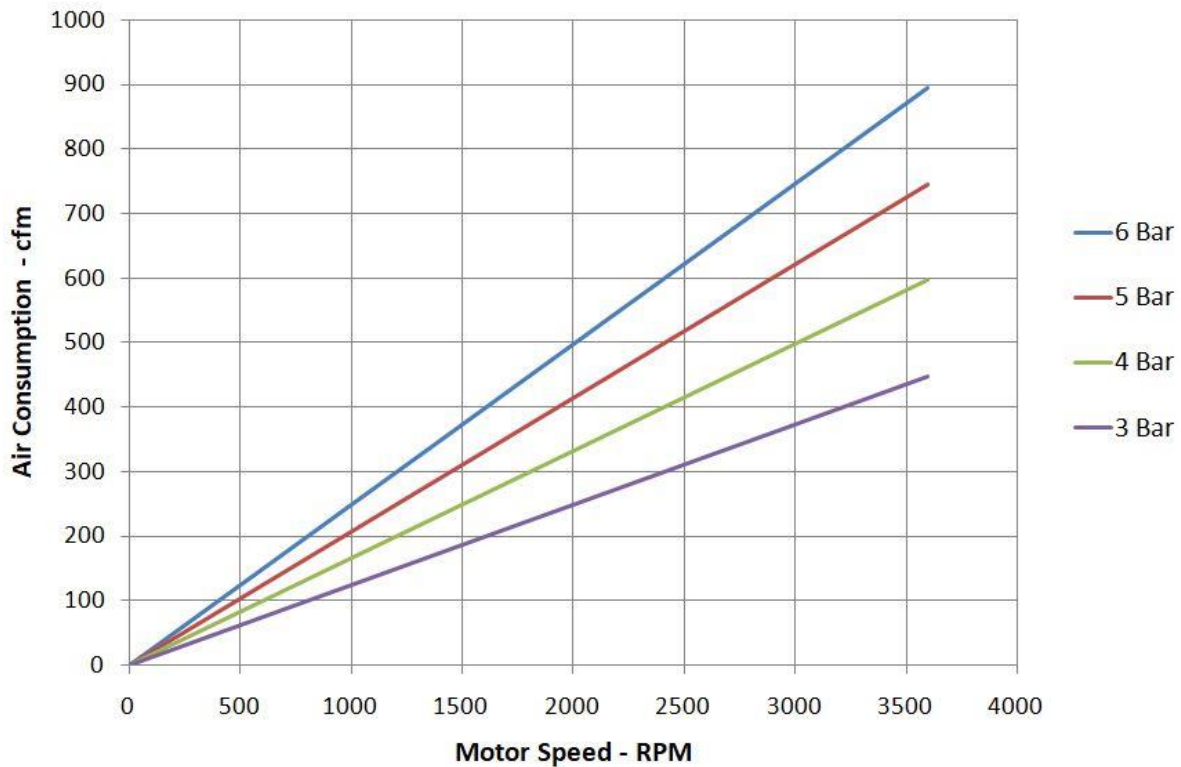


46AM01 WEDGETAIL AIR MOTOR

PRODUCT DATA SHEET



Theoretical Air Consumption
Ungoverned Wedgetail



Ph: +612 4272 8311
Fx: +612 4272 8533
30 Waverley Drive
Unanderra NSW 2526
sales@clarksmineingservices.com.au

Designers and manufacturers of
mining and construction equipment



ABN: 42 050 287 173 CAN 050 287 173
Kalgara Pty Ltd

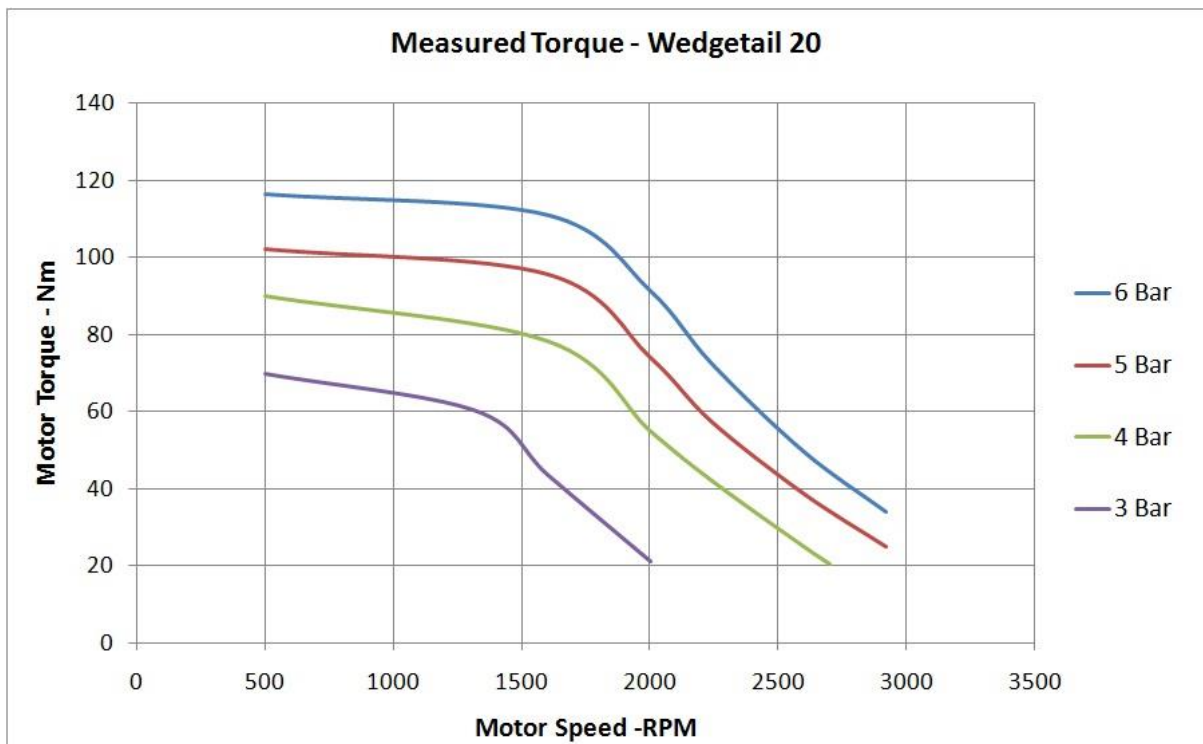
www.clarksmineingservices.com.au

goo.gl/q0oy4K



46AM01 WEDGETAIL AIR MOTOR

PRODUCT DATA SHEET



Ph: +612 4272 8311
Fx: +612 4272 8533
30 Waverley Drive
Unanderra NSW 2526
sales@clarksmineingservices.com.au

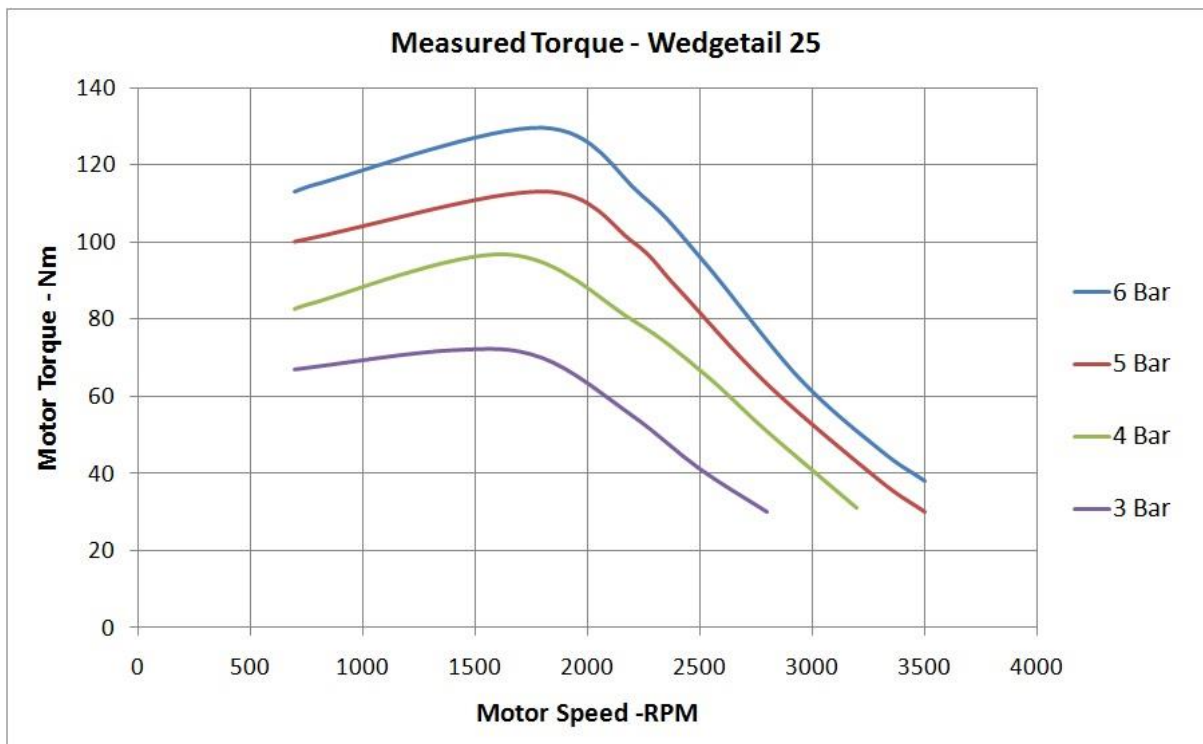
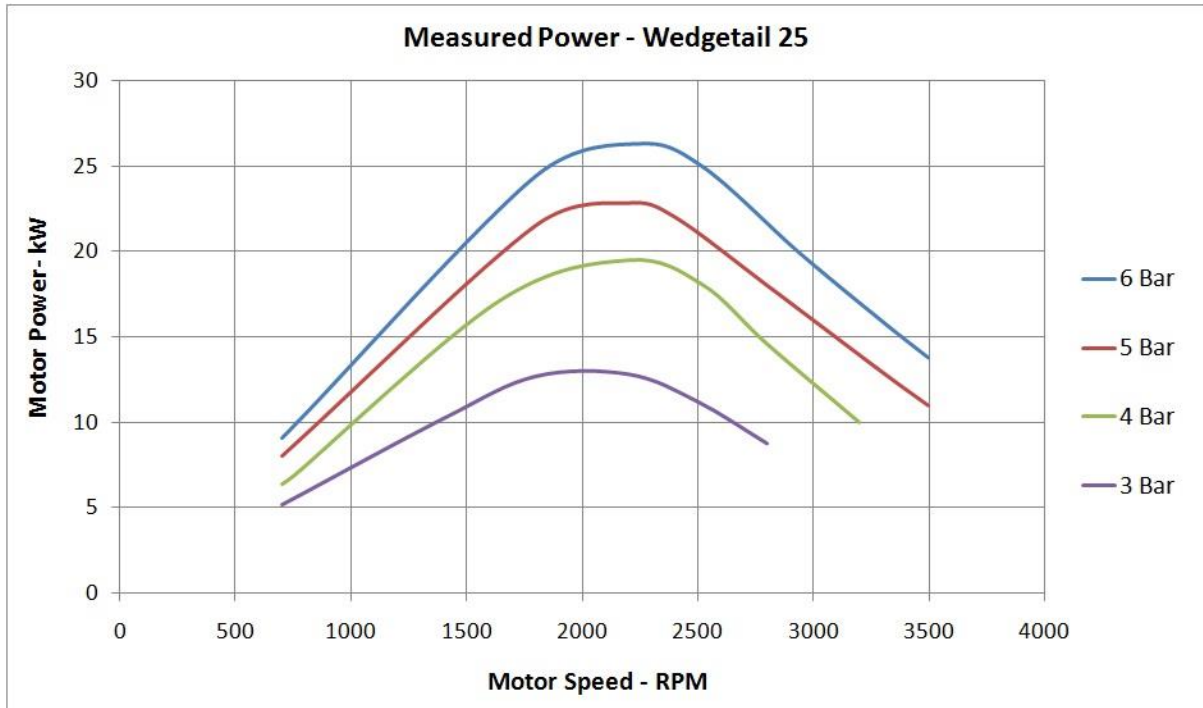
**Designers and manufacturers of
mining and construction equipment**





46AM01 WEDGETAIL AIR MOTOR

PRODUCT DATA SHEET



Ph: +612 4272 8311
Fx: +612 4272 8533
30 Waverley Drive
Unanderra NSW 2526
sales@clarksmineingservices.com.au

**Designers and manufacturers of
mining and construction equipment**

ABN: 42 050 287 173 CAN 050 287 173
Kalgara Pty Ltd

www.clarksmineingservices.com.au

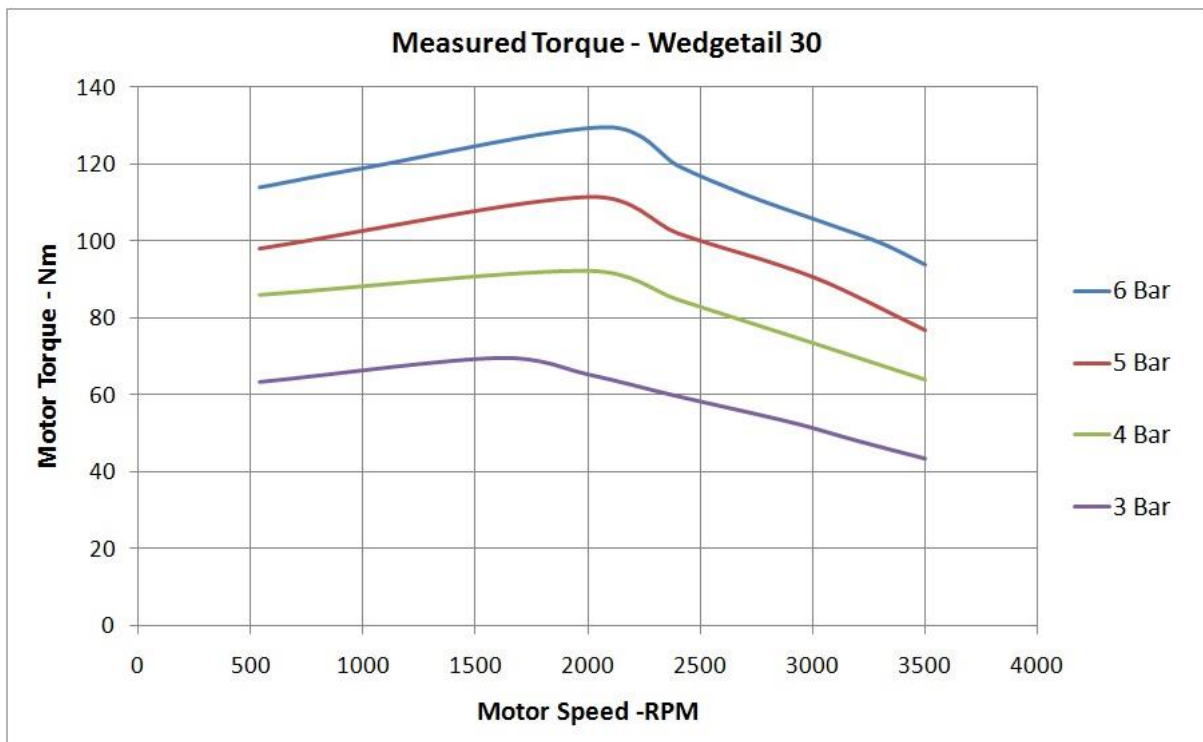
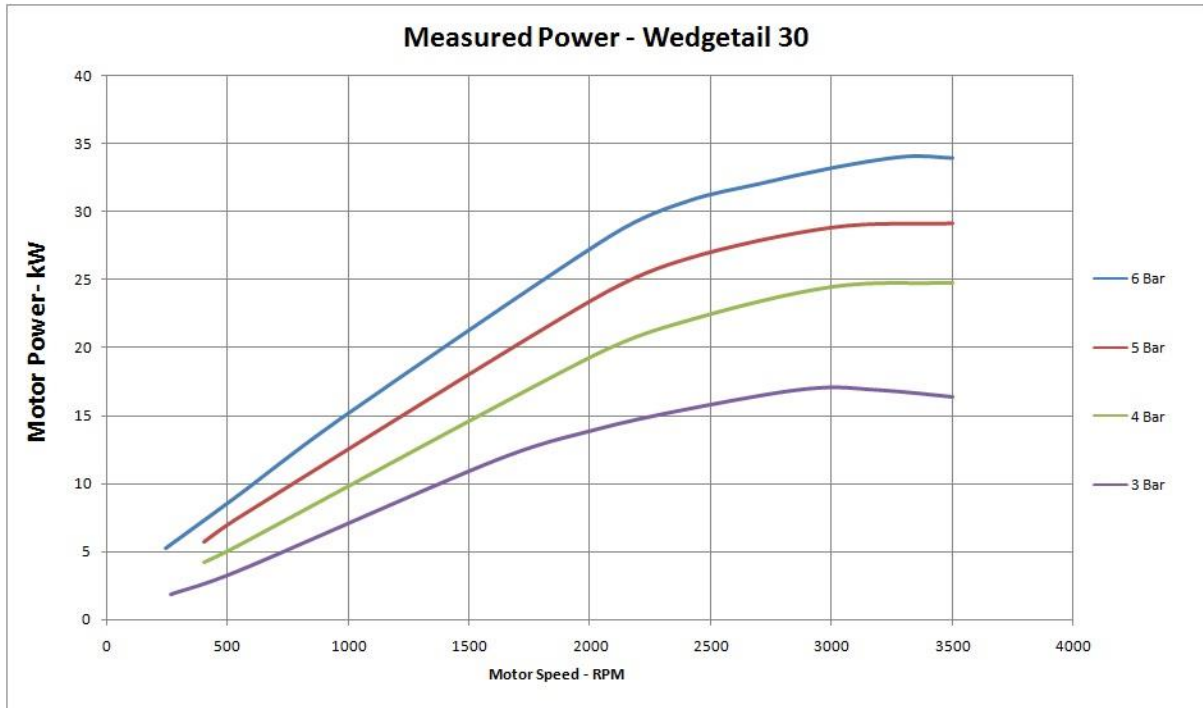
goo.gl/q0oy4K





46AM01 WEDGETAIL AIR MOTOR

PRODUCT DATA SHEET



Ph: +612 4272 8311
Fx: +612 4272 8533
30 Waverley Drive
Unanderra NSW 2526
sales@clarksmineingservices.com.au

Designers and manufacturers of
mining and construction equipment

ABN: 42 050 287 173 CAN 050 287 173
Kalgara Pty Ltd

www.clarksmineingservices.com.au

goo.gl/q0oy4K





46AM01 WEDGETAIL AIR MOTOR

PRODUCT DATA SHEET

OPTION SELECTOR

Sample Model No	4	6	A	M	0	1	2	1	1	3	0
Position	0	1	2	3	4	5	6	7	8	9	10
0 1	46 = Category										
2 3	AM = Descriptor (Air Motor)										
4 5	01 = Wedgetail Motor										
6	2 = Bare motor										
7	1 = flange mount (IEC)										
8	1 = 28mm shaft output with 8mm key 2 = 22mm female output with 2x6mm keys 3 = 11 tooth 16/32 female splined shaft (ANSI B92.1)										
9 10	20 = 20kW variant 25 = 25kW variant 30 = 30kW variant										

Ph: +612 4272 8311
 Fx: +612 4272 8533
 30 Waverley Drive
 Unanderra NSW 2526
 sales@clarksmineingservices.com.au

**Designers and manufacturers of
 mining and construction equipment**

