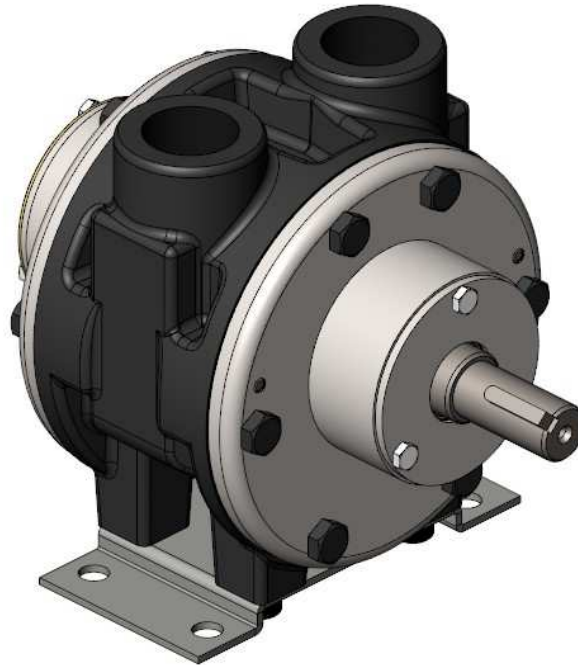




# CLARK BUZZARD PNEUMATIC MOTOR

Product Data Sheet



## Clark Buzzard Air motor

The Buzzard air motor is a robust vane style air motor generating high starting torque for its compact size. The motor is foot mounted with a keyed output shaft for easy attachment to couplings or direct drive units. The all metal exterior makes it ideal for use in mining or explosive environments. The Buzzard generates 4.6 kW at 600 kPa with a maximum starting torque of 28Nm. The motor is fully reversible and speed can be controlled variably to 3000rpm.

## Applications:

- Civil
- Mining
- Air track drill rigs
- Power packs
- Fans

## Features:

- Metal construction
- Reversible
- Variable speed



*Designers and  
manufacturers of  
mining and construction  
equipment*

A.B.N. 42 050 287 173 | A.C.N. 050 287 173

### SALES

ph. 612 4272 8311  
fx. 612 4272 8533  
30 Waverley Drive  
Unanderra NSW 2526  
cmsadmin@bigpond.com

### ACCOUNTS

ph. 612 4271 4036  
fx. 612 4271 4015  
30 Waverley Drive  
Unanderra NSW 2526  
clarksmineaccounts@bigpond.com

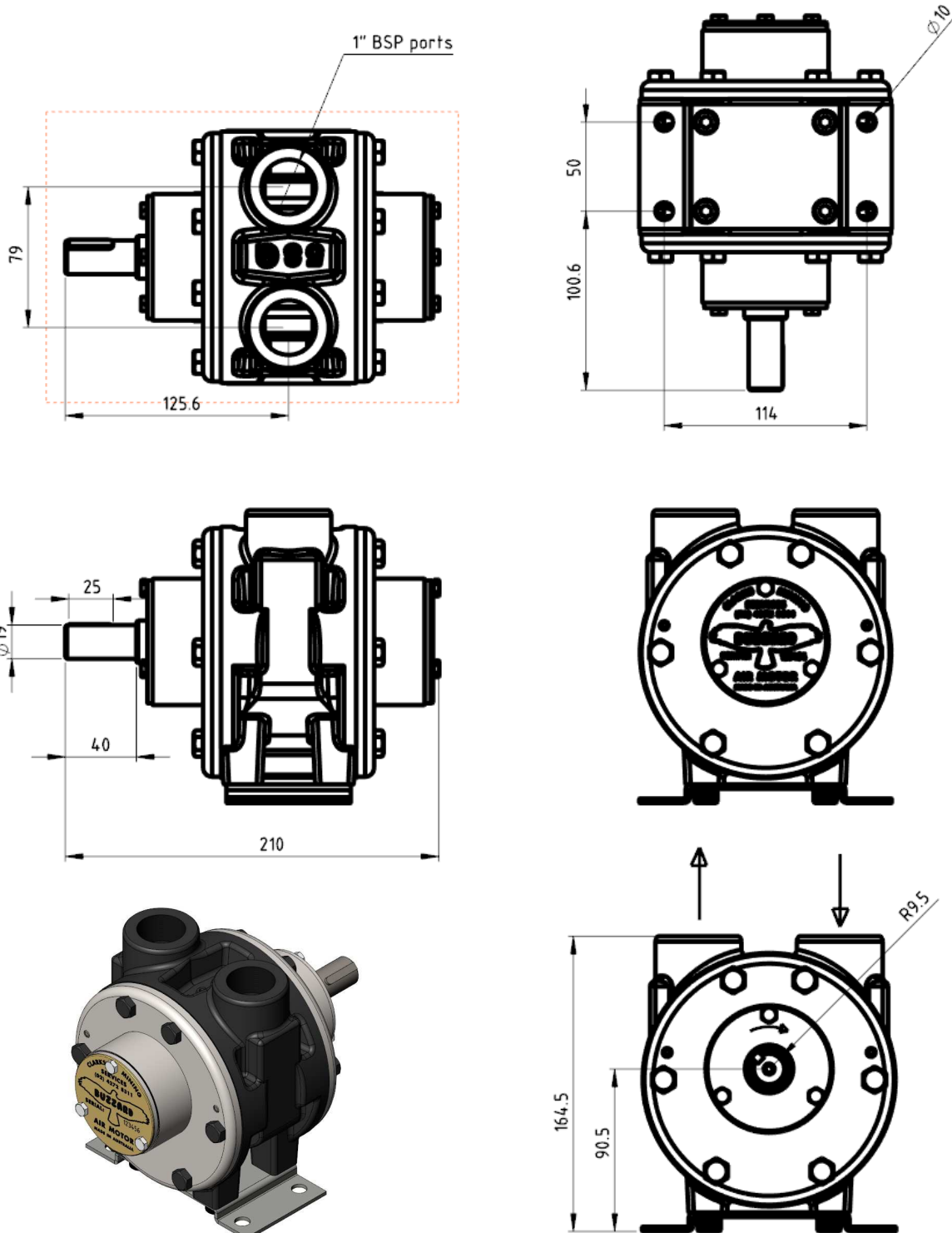
[www.clarksmineingservices.com.au](http://www.clarksmineingservices.com.au)

[▶ goo.gl/qOoy4K](https://www.youtube.com/watch?v=qOoy4K)



# CLARK BUZZARD PNEUMATIC MOTOR

Product Data Sheet



*Designers and  
manufacturers of  
mining and construction  
equipment*

A.B.N. 42 050 287 173 | A.C.N. 050 287 173

## SALES

ph. 612 4272 8311  
fx. 612 4272 8533  
30 Waverley Drive  
Unanderra NSW 2526  
cmsadmin@bigpond.com

## ACCOUNTS

ph. 612 4271 4036  
fx. 612 4271 4015  
30 Waverley Drive  
Unanderra NSW 2526  
clarksmineaccounts@bigpond.com