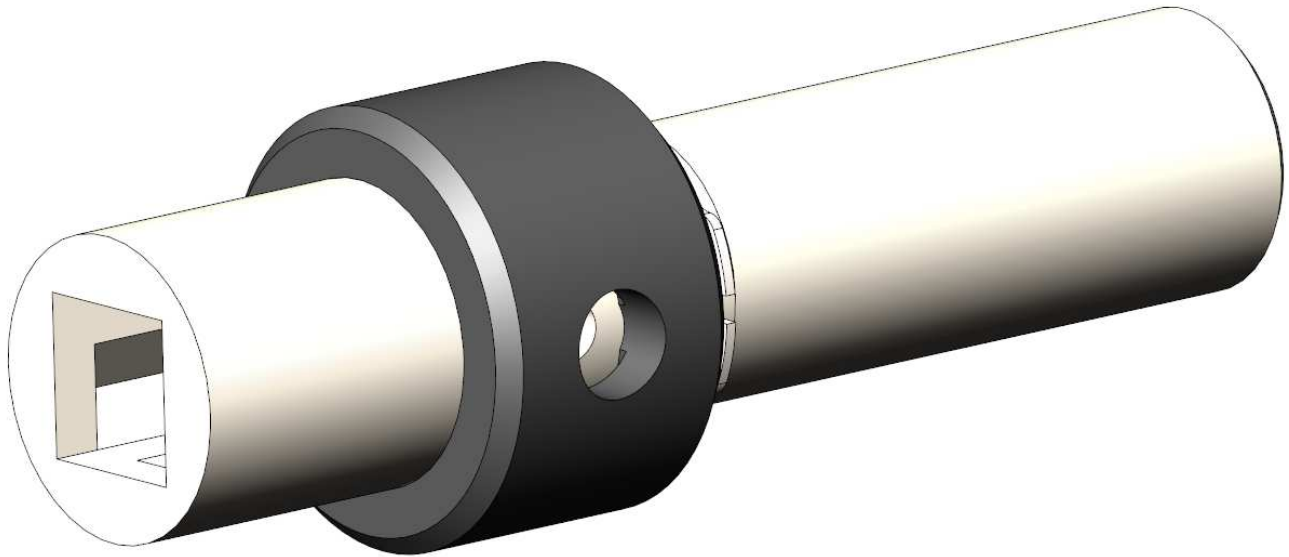




CLARK WATER SWIVEL TOP ENTRY

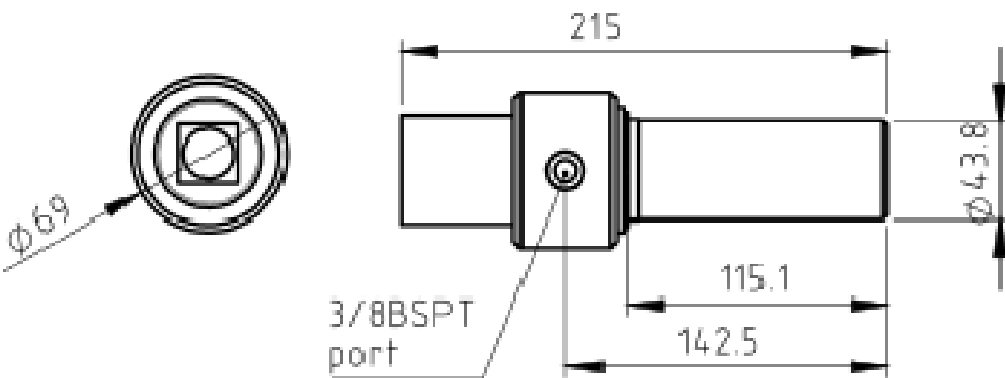
Product Data Sheet



Clark top entry water swivel for use on AW or AWJ feed mounted thru-chuck drills.

Specifications

- Hardened steel shaft
- Suits AW drill motor
- 3/8" BSP inlet
- Weight 2.7kg
- 25mm Square drive
- Dual rubber seals
- Compact design
- Parts sold individually or as an assembly
- Use with Clark drill rigs



*Designers and
manufacturers of
mining and construction
equipment*

A.B.N. 42 050 287 173 | A.C.N. 050 287 173

SALES

ph. 612 4272 8311
fx. 612 4272 8533
30 Waverley Drive
Unanderra NSW 2526
cmsadmin@bigpond.com

ACCOUNTS

ph. 612 4271 4036
fx. 612 4271 4015
30 Waverley Drive
Unanderra NSW 2526
clarksmineaccounts@bigpond.com

www.clarksmineingservices.com.au

[goo.gl/q0oy4K](https://www.youtube.com/watch?v=q0oy4K)