



CLARK TYPHOON 500mm FRAS FAN

Product Data Sheet



CLARK TYPHOON 500mm FAN

The Clark Typhoon 500mm FRAS pneumatic air fan is a light weight air fan for use in underground coal mines, hard rock mines and construction sites. The fan can be used for ventilation purposes to either draw polluted air or gases away from an area or to ventilate with clean air.

The outer housing is constructed from Fire Resistant Anti-static (FRAS) fiberglass. The drive hub and guards are of a steel construction. The three blade impeller is made from FRAS polyurethane and has a unique double function of allowing the air supply to turn the blades, meaning that there is no actual motor, and it also creates the air flow of the fan.

The fan can be used as a stand alone unit or with ducting fitted over the outer housing. Two hanging points are provided so that the fan can easily be mounted with chain or straps from a roof.

The air inlet is a standard Type A snap coupling style.

Features:

- FRAS fiberglass cowling
- Lightweight
- 3 blade impeller
- Variable speed

Applications:

- Hard rock mines
- Coal mines
- Tunnels and shafts
- Sewers and manholes
- Refineries
- Tanks and ship's holds



*Designers and
manufacturers of
mining and construction
equipment*

A.B.N. 42 050 287 173 | A.C.N. 050 287 173

SALES

ph. 612 4272 8311
fx. 612 4272 8533
30 Waverley Drive
Unanderra NSW 2526
cmsadmin@bigpond.com

ACCOUNTS

ph. 612 4271 4036
fx. 612 4271 4015
30 Waverley Drive
Unanderra NSW 2526
clarksmineaccounts@bigpond.com

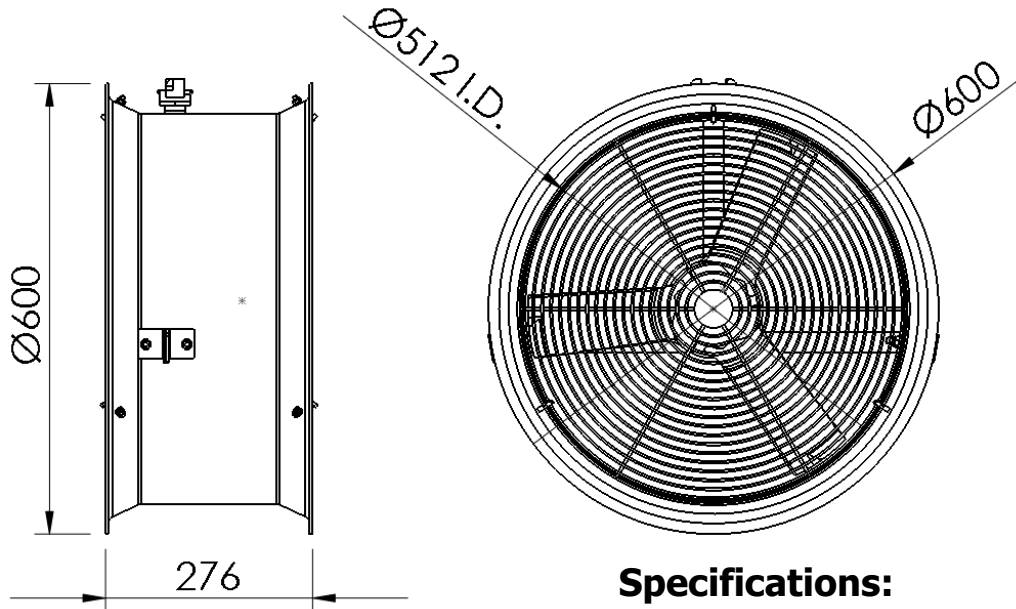
www.clarksmine.com.au

[▶ goo.gl/q0oy4K](https://www.youtube.com/watch?v=q0oy4K)



CLARK TYPHOON 500mm FRAS FAN

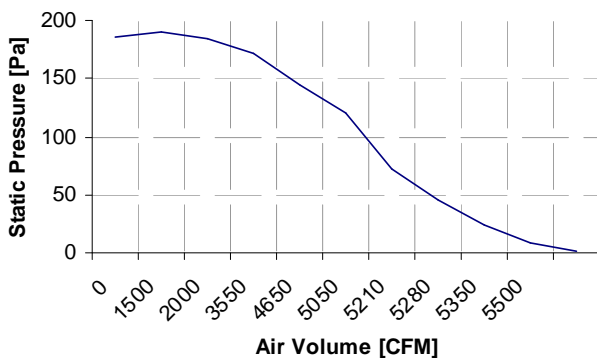
Product Data Sheet



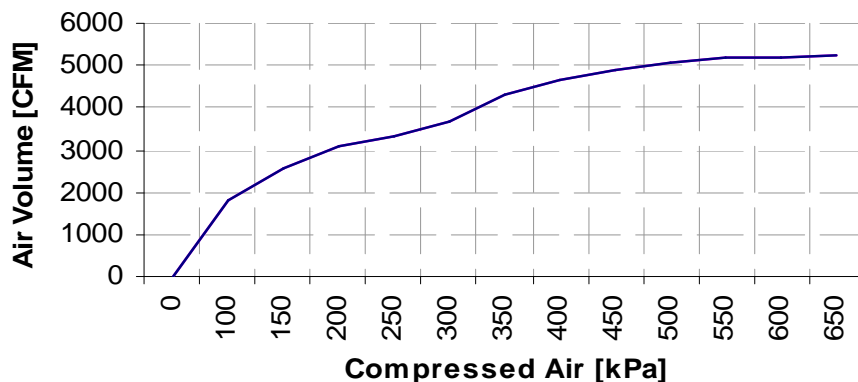
Typhoon 500mm Fan

Specifications:

- Weight: 12 kg
- Overall length: 276 mm
- Internal diameter: 512mm
- External diameter: 600 mm
- Impeller: 500 mm
- Air consumption: 0.07 m³/sec
- Fan discharge @ 650kpa: 2.4 m³/sec



Typhoon 500mm Fan



Designers and
manufacturers of
mining and construction
equipment

A.B.N. 42 050 287 173 | A.C.N. 050 287 173

SALES

ph. 612 4272 8311
fx. 612 4272 8533
30 Waverley Drive
Unanderra NSW 2526
cmsadmin@bigpond.com

ACCOUNTS

ph. 612 4271 4036
fx. 612 4271 4015
30 Waverley Drive
Unanderra NSW 2526
clarksmineaccounts@bigpond.com