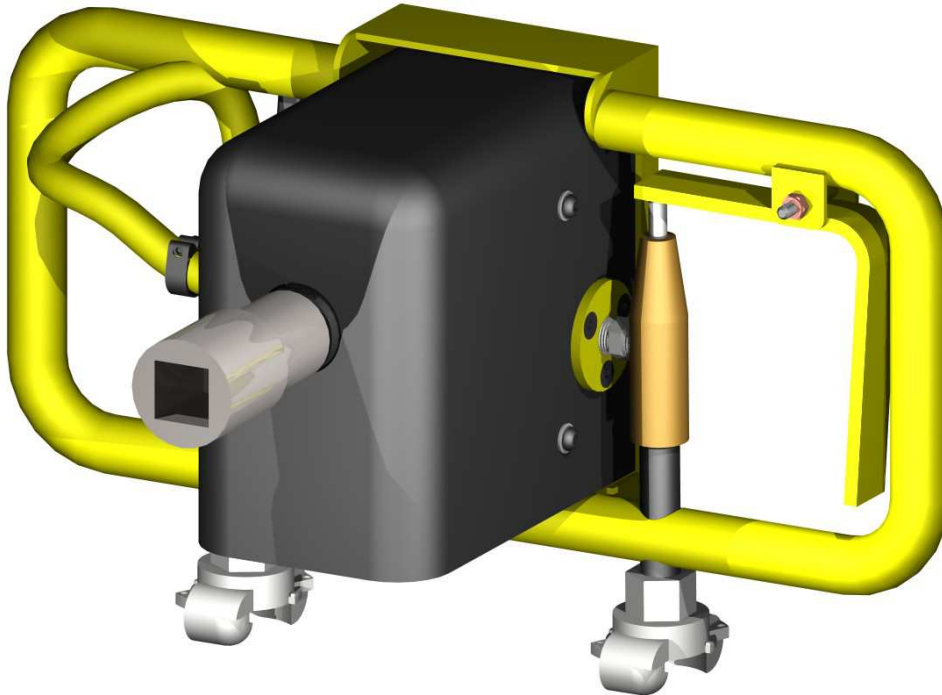




# CLARK EAGLE MK2 AIR POWERED DRILL

Product Data Sheet



## CLARK EAGLE MK2 DRILL

The Clark Eagle Mk2 air powered drill was primarily designed for drilling ribs (tunnel walls) in coal mines for strata support. The drill motor is contained within a FRAS PU cover for use in hazardous environments and features a rugged steel handle and trigger. The drill has found ready acceptance in civil construction work, drilling holes for earthing rods and also drilling of brick furnaces. The drill incorporates a trigger for operation of the drill rotation and also a valve for water or air flushing of the drill rod. The drill motor is also used as the drive motor for the Clark grout mixer. To date, over 1000 motors have been sold.



Left - Drill with optional pusher leg attachment

### Applications

Drilling:  
Coal  
Stone  
Brick  
Earth  
Concrete

### Options

Pusher leg attachment  
Hex chuck  
Air flushing  
Water flushing



*Designers and  
manufacturers of  
mining and construction  
equipment*

A.B.N. 42 050 287 173 | A.C.N. 050 287 173

### SALES

ph. 612 4272 8311  
fx. 612 4272 8533  
30 Waverley Drive  
Unanderra NSW 2526  
cmsadmin@bigpond.com

### ACCOUNTS

ph. 612 4271 4036  
fx. 612 4271 4015  
30 Waverley Drive  
Unanderra NSW 2526  
clarksminingaccounts@bigpond.com

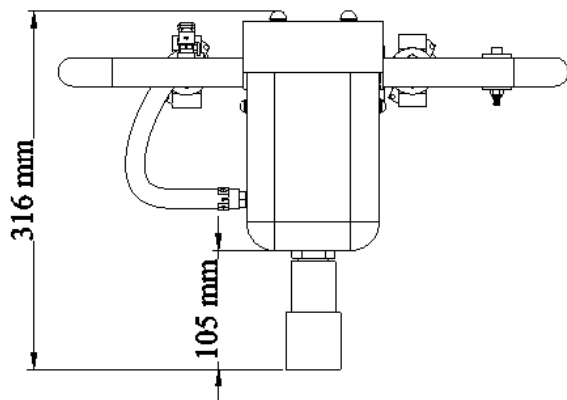
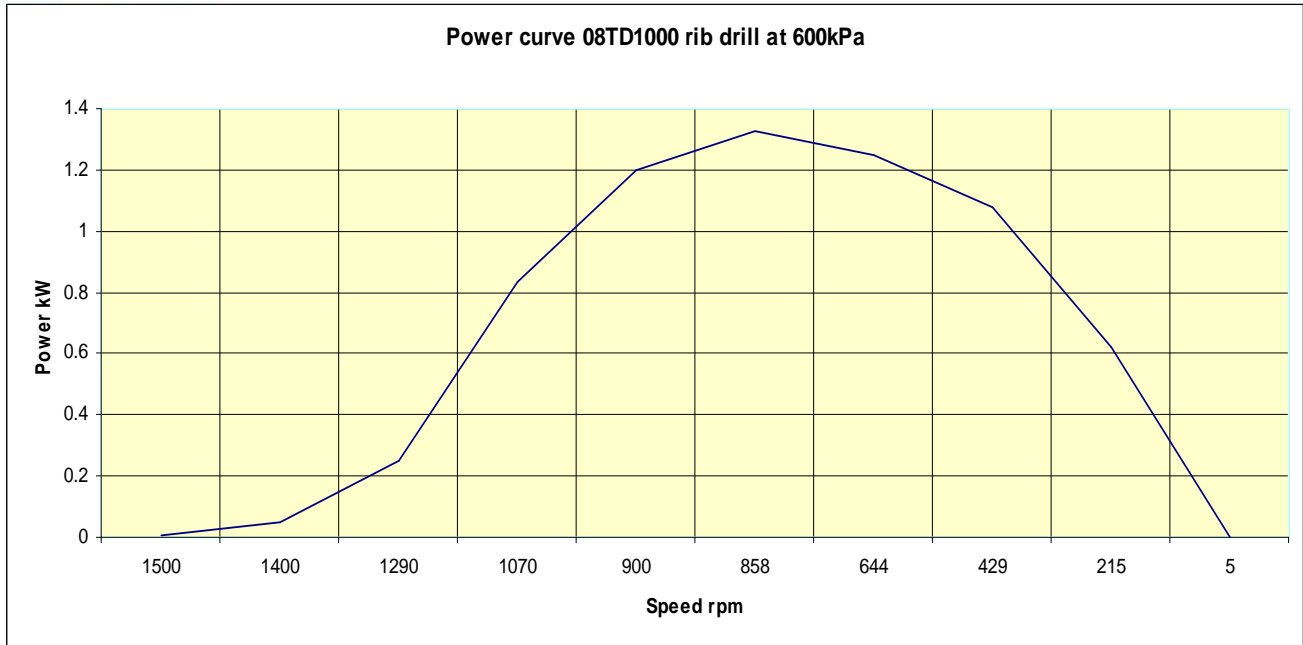
[www.clarksmineingservices.com.au](http://www.clarksmineingservices.com.au)

[gou.gl/qOoy4K](https://www.youtube.com/watch?v=qOoy4K)



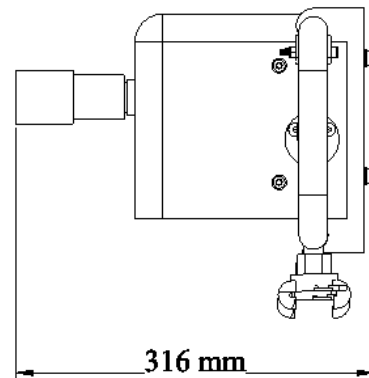
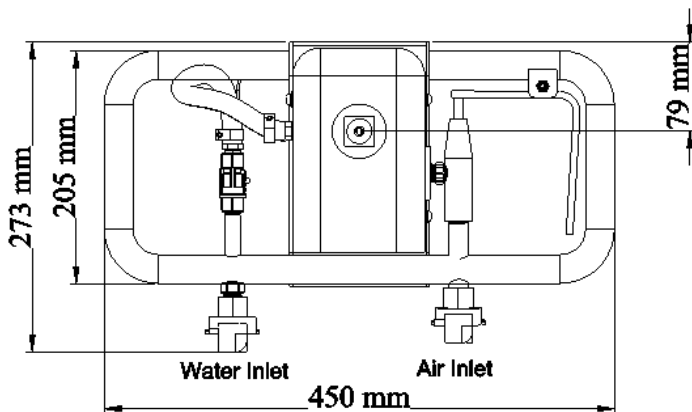
# CLARK EAGLE MK2 AIR POWERED DRILL

## Product Data Sheet



## Specifications

- Weight - 9kg
- Power: 1.33kW @ 858rpm
- Starting torque – 27Nm
- Stall torque - 68 Nm
- Air pressure max - 827 kPa
- Free speed - 1200 rpm Nom
- Air consumption - 2.2 m<sup>3</sup>/min
- Drive chuck - 25mm sq lock



Designers and  
manufacturers of  
mining and construction  
equipment

A.B.N. 42 050 287 173 | A.C.N. 050 287 173

### SALES

ph. 612 4272 8311  
fx. 612 4272 8533  
30 Waverley Drive  
Unanderra NSW 2526  
cmsadmin@bigpond.com

### ACCOUNTS

ph. 612 4271 4036  
fx. 612 4271 4015  
30 Waverley Drive  
Unanderra NSW 2526  
clarksmineaccounts@bigpond.com