



Atlas Copco H104 – air over hydraulic

Product Data Sheet



Modified H104 drill rig

This Atlas Copco H104 has been modified to suit civil construction sites and tunnels **where electric power is not available**. The machine retains the diesel engine for tramping the machine independently to various locations but has a pneumatic motor for operating the hydraulic drill and boom allowing flexibility in areas without electrical supply. The hydraulic tunnelling and mining rig has a single BUT 4 boom and a Montabert HC20 rock drill for drilling narrow tunnel cross sections. It is able to drill roof/floor/side/forward in soft and hard rock.

Applications:

- Tunnelling
- Construction sites
- Building sites
- Cable bolting
- Rock bolting
- Benching
- Blasting
- Hard rock mines
- Ground stabilization



*Designers and
manufacturers of
mining and construction
equipment*

A.B.N. 42 050 287 173 | A.C.N. 050 287 173

SALES

ph. 612 4272 8311
fx. 612 4272 8533
30 Waverley Drive
Unanderra NSW 2526
cmsadmin@bigpond.com

ACCOUNTS

ph. 612 4271 4036
fx. 612 4271 4015
30 Waverley Drive
Unanderra NSW 2526
clarksmineaccounts@bigpond.com

www.clarksmineingservices.com.au

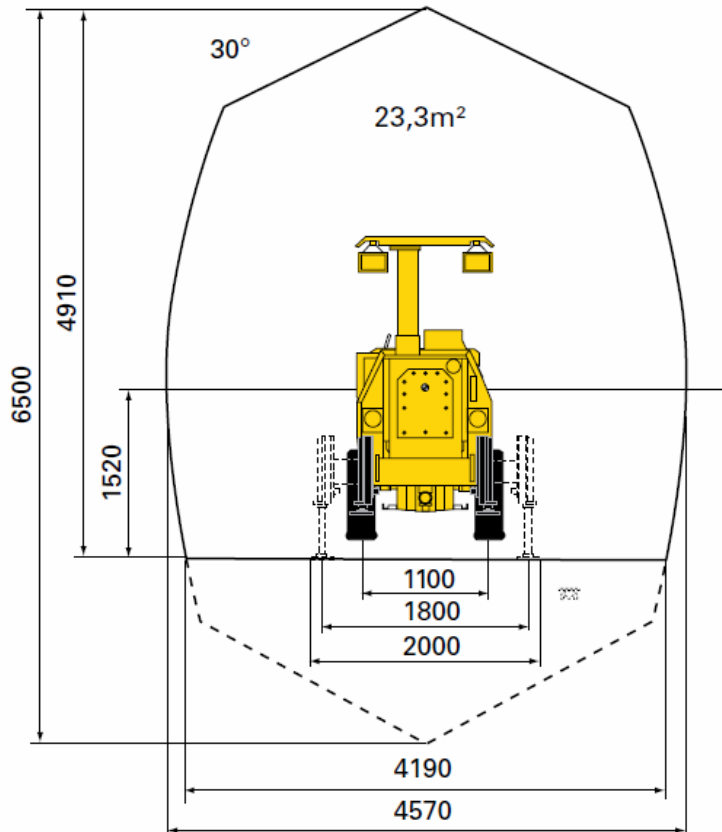
[gou.gl/q0oy4K](https://www.youtube.com/watch?v=q0oy4K)



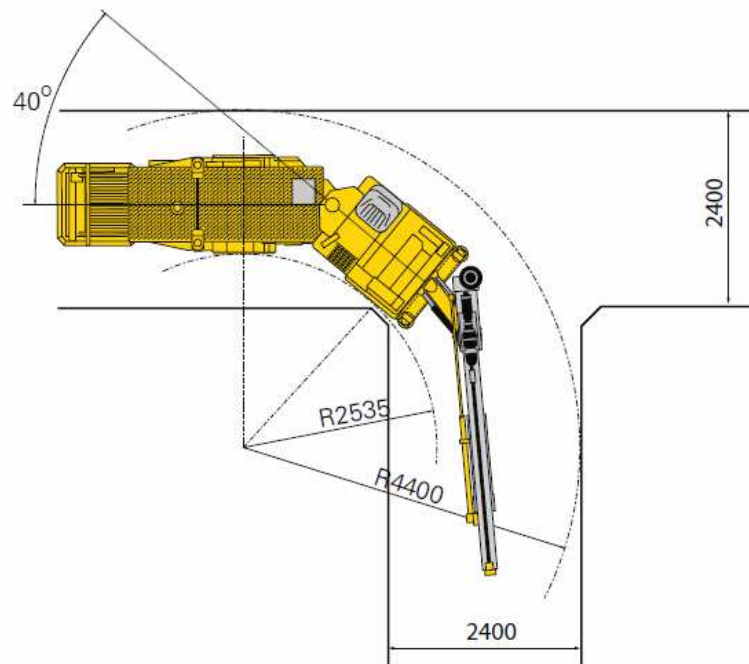
Atlas Copco H104 – air over hydraulic

Product Data Sheet

COVERAGE AREA



TURNING RADIUS



DIMENSIONS

Width	1 220mm (outside of tyres)
Width incl. front jacks	1750mm
Height, roof down	1 990mm
Height, roof up	2 690mm
Length with feed retracted	8600mm
Ground clearance	275mm
Weight	8500kg



*Designers and
manufacturers of
mining and construction
equipment*

A.B.N. 42 050 287 173 | A.C.N. 050 287 173

SALES

ph. 612 4272 8311
fx. 612 4272 8533
30 Waverley Drive
Unanderra NSW 2526
cmsadmin@bigpond.com

ACCOUNTS

ph. 612 4271 4036
fx. 612 4271 4015
30 Waverley Drive
Unanderra NSW 2526
clarksmineaccounts@bigpond.com

www.clarksmineingservices.com.au

[goo.gl/q0oy4K](https://www.youtube.com/watch?v=q0oy4K)



Atlas Copco H104 – air over hydraulic

Product Data Sheet

CARRIER

Deutz 4-cylinder, F3L 912W, diesel engine
Power rating at 2 300 rpm•42 kW (57 hp)
Torque at 1 550 rpm•198 Nm
Articulated steering•±40° steering angle
Catalyser•
Silencer•
Fixed seat for tramming with safety belt•
Four-wheel drive•
Hydrostatic power steering system•
Hydrostatic transmission•
Front axle•Dana 171
Rear axle •Dana 171, ±7° oscillation
Tyres •8.25 x R15
Clearance outside axles•15°
Hydraulic jacks, front • ..2 extendable (MANUAL)
Hydraulic jacks, rear•2
Service brakes•2 separate circuits
Emergency and parking brakes•SAHR
Fuel tank, volume•60 l
Electric system•24 V
Batteries•2 x 70 Ah
Tramming lights•4 x 70 W
Working lights•nil
Central lubrication system•
Spirit level•
Fire extinguisher & Fire suppression system
Gradeability at max. load on drive wheels•1:4
Speed.....variable to 8 km/h

PNEUMATIC SYSTEM

Air motor (air over hydraulic).....23kW@630kPa
Air pressure max. 800kPa
Maximum air consumption at peak power.....425 l/sec
40 micron inline filter with water drain
Lubrication system installed, tank capacity.....12 litre
Muffler fitted
50mm inlet

HYDRAULIC SYSTEM

Hydraulic pumps•.....1 unit
System pressure, max•150–230 bar
Hydraulic oil tank, volume max/min•.....70 l
Low oil level indicator•
Electric oil filling pump•
Water cooled oil•
Filtration•16 µm
Mineral hydraulic oil•

FEED

Feedseries 2000
Overall length•4398mm
Stroke•.....2560mm
Pitto jaws°

BOOM

Boom•BUT 4
Feed extension•1 500 mm
Boom extension•.....900 mm
Feed roll-over•360°
Feed rotation•±114°
Feed dump cylinder•.....+18°/-79°
Max. swinging angle•.....±30°
Weight, boom only•1 042 kg

DRIFTER

Rotation150-300rpm
Strike frequency.....50 Hz
Strike pressure.....140 Bar
Strike energy.....90 J
Shank options: H22/H25/R25/R32
Water flushing flow.....30 l/min
Front guide lubrication air flow.....200l/min



*Designers and
manufacturers of
mining and construction
equipment*

A.B.N. 42 050 287 173 | A.C.N. 050 287 173

SALES

ph. 612 4272 8311
fx. 612 4272 8533
30 Waverley Drive
Unanderra NSW 2526
cmsadmin@bigpond.com

ACCOUNTS

ph. 612 4271 4036
fx. 612 4271 4015
30 Waverley Drive
Unanderra NSW 2526
clarksmineaccounts@bigpond.com