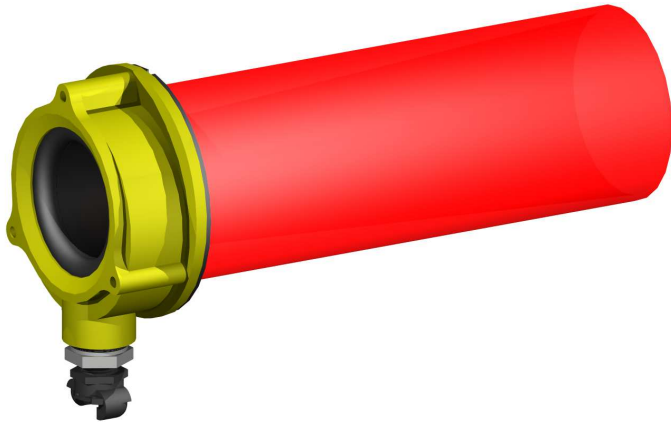




# CLARK VENTURI AIR MOVERS

Product Data Sheet



Airflow model 100



Airflow model 40

## Venturi air movers

The Clark pneumatic venturi air movers have no moving parts and simply require a supply of clean dry compressed air. Primary air enters the rear manifold and is released through the centre. Secondary air is drawn into the centre and mixes with the primary air stream and exits through the front at a higher velocity. The Clark Venturi units are suitable for use in underground coal mines. The units are constructed of steel and FRAS PU. Applications include ventilation and dust extraction of gaseous and dusty areas in coal mines, sewers and construction areas.

### Applications:

- Coal mines
- Hard rock mines
- Sewers
- Construction sites

### Options:

- VS100 model
- VS40 model
- Earth strap
- Suction tubes



*Designers and  
manufacturers of  
mining and construction  
equipment*

A.B.N. 42 050 287 173 | A.C.N. 050 287 173

### SALES

ph. 612 4272 8311  
fx. 612 4272 8533  
30 Waverley Drive  
Unanderra NSW 2526  
cmsadmin@bigpond.com

### ACCOUNTS

ph. 612 4271 4036  
fx. 612 4271 4015  
30 Waverley Drive  
Unanderra NSW 2526  
clarksmineaccounts@bigpond.com

[www.clarksmineingservices.com.au](http://www.clarksmineingservices.com.au)

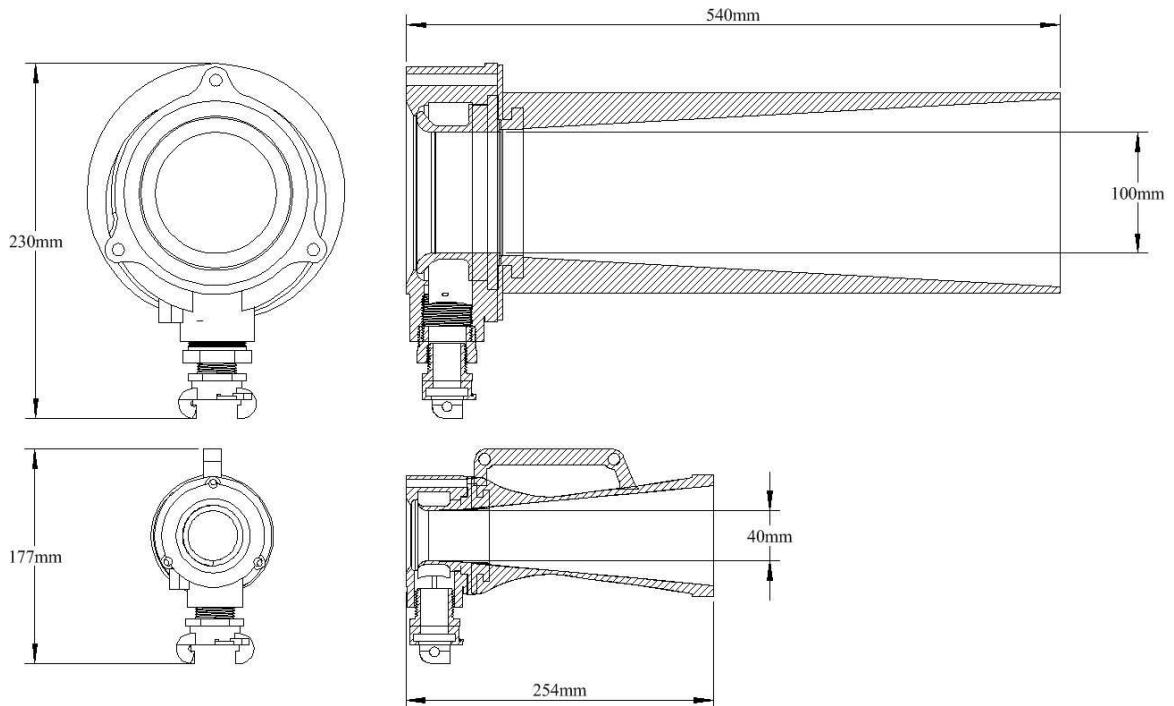
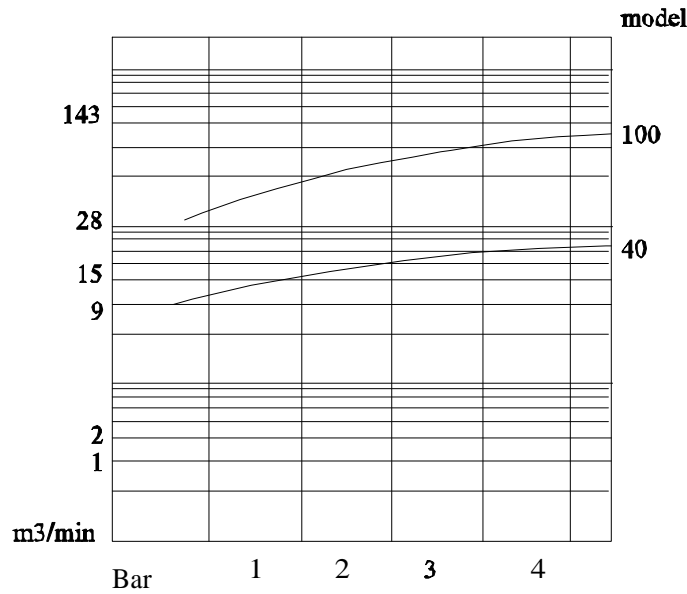
[goo.gl/qOoy4K](https://www.youtube.com/watch?v=qOoy4K)



# CLARK VENTURI AIR MOVERS

## Product Data Sheet

Model	Maximum Output	Air drive consumption	Material of construction	Weight kg
	m <sup>3</sup> /min	m <sup>3</sup> /min		
40	17.2	1.4	Steel CI and FRAS PU	2.7
100	82	6	Steel, CI and FRAS PU	14



*Designers and manufacturers of mining and construction equipment*

A.B.N. 42 050 287 173 | A.C.N. 050 287 173

### SALES

ph. 612 4272 8311  
 fx. 612 4272 8533  
 30 Waverley Drive  
 Unanderra NSW 2526  
 cmsadmin@bigpond.com

### ACCOUNTS

ph. 612 4271 4036  
 fx. 612 4271 4015  
 30 Waverley Drive  
 Unanderra NSW 2526  
 clarksmineaccounts@bigpond.com