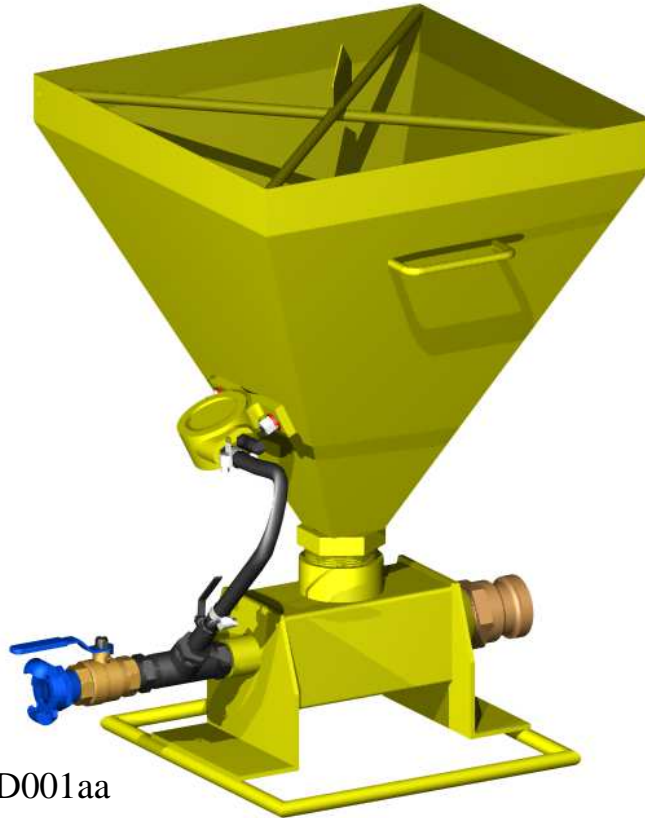




# CLARK HOPPER DUSTER

Product Data Sheet



12HD001aa

## Stone dust hopper

The Clark hopper duster is used for distributing stone dust in underground coal mines as part of the mine's statutory requirements. Air supply passes through the main entry port conveying stone dust as it passes through the hopper to the discharge port. The duster can be used to quickly disperse the dust in less than a minute or used as a trickle duster to slowly discharge the dust with the vibrator running. The stone duster is available with or without a vibrator with various hose fitting combinations. An extension is also available to increase the capacity to 180 liters.

## Applications:

- Face roadways
- Trickle dusting of return

## Features:

- Compressed air powered, requires 80cfm at 100psi
- Capacity 45 liters
- Overall height 680mm
- Incorporates bag splitter

## Options:

- Ball vibrator
- 180 liter extension
- Hose fittings



*Designers and  
manufacturers of  
mining and construction  
equipment*

A.B.N. 42 050 287 173 | A.C.N. 050 287 173

## SALES

**ph.** 612 4272 8311  
**fx.** 612 4272 8533  
30 Waverley Drive  
Unanderra NSW 2526  
cmsadmin@bigpond.com

## ACCOUNTS

**ph.** 612 4271 4036  
**fx.** 612 4271 4015  
30 Waverley Drive  
Unanderra NSW 2526  
clarksmineaccounts@bigpond.com

[www.clarksmineingservices.com.au](http://www.clarksmineingservices.com.au)

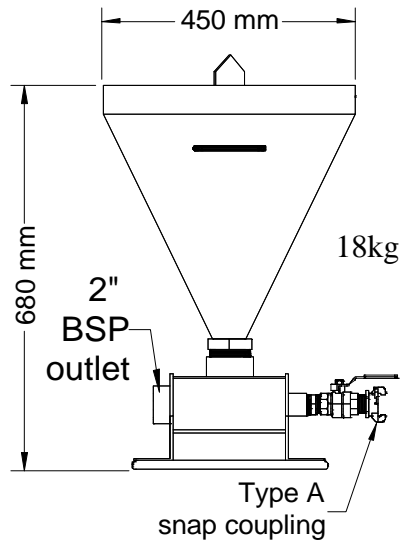
[gou.gl/qOoy4K](https://www.youtube.com/watch?v=qOoy4K)



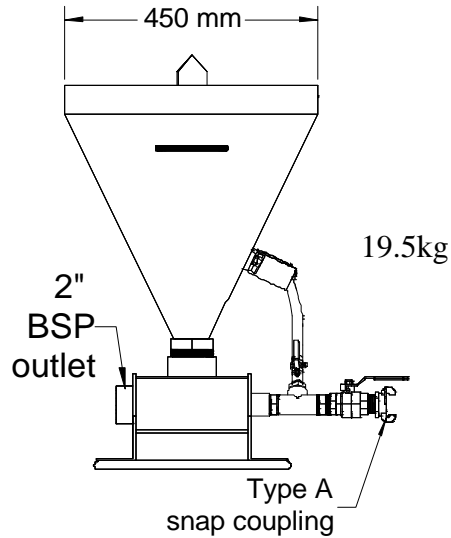
# CLARK HOPPER DUSTER

Product Data Sheet

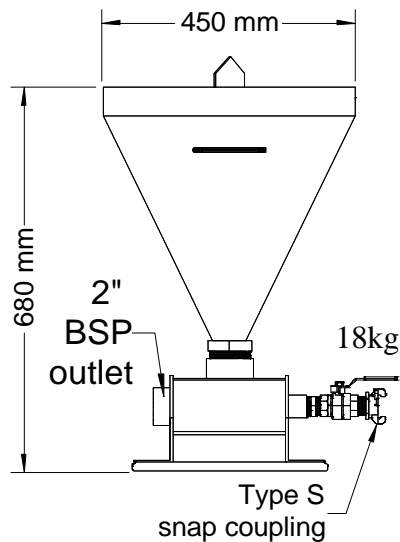
Note: Units come with fittings as described below:



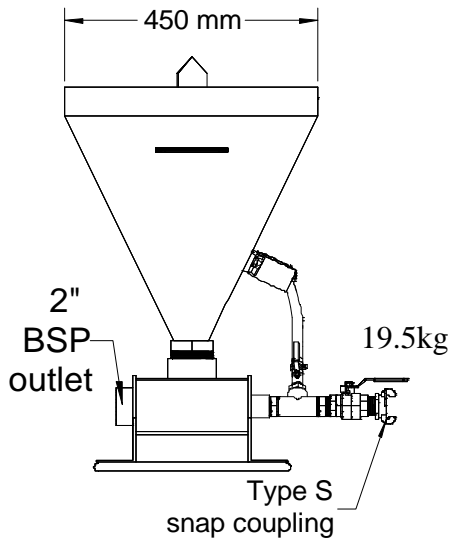
**12 HD 001**  
**(standard unit)**



**12 HD 001a**  
**(c/w vibrator)**



**12 HD 010**  
**(standard unit)**



**12 HD 010a**  
**(c/w vibrator)**



*Designers and  
manufacturers of  
mining and construction  
equipment*

A.B.N. 42 050 287 173 | A.C.N. 050 287 173

## SALES

ph. 612 4272 8311  
fx. 612 4272 8533  
30 Waverley Drive  
Unanderra NSW 2526  
cmsadmin@bigpond.com

## ACCOUNTS

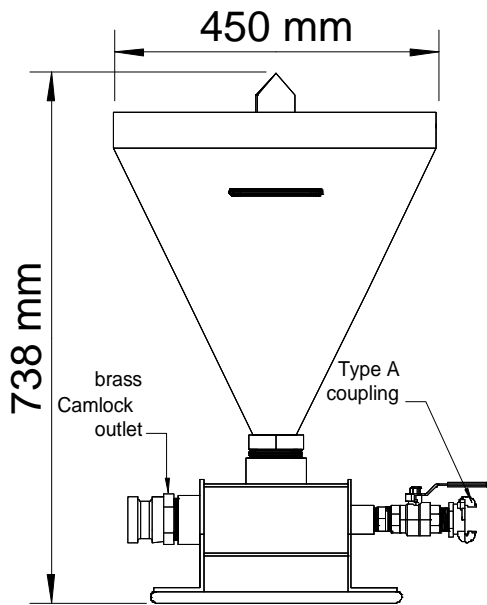
ph. 612 4271 4036  
fx. 612 4271 4015  
30 Waverley Drive  
Unanderra NSW 2526  
clarksmineaccounts@bigpond.com



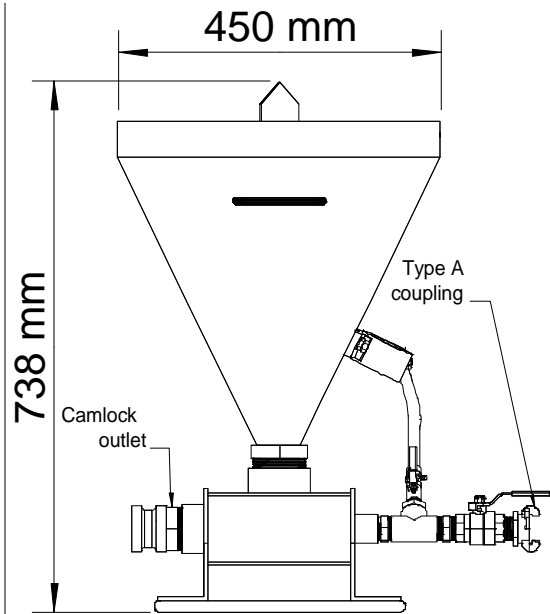
# CLARK HOPPER DUSTER

Product Data Sheet

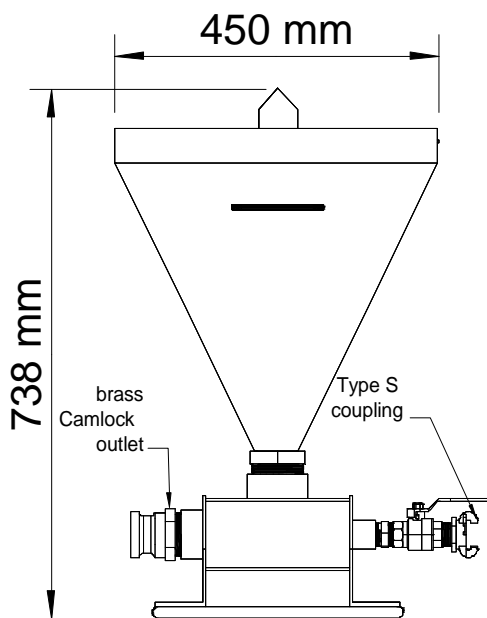
Note: Units come with fittings as described below:



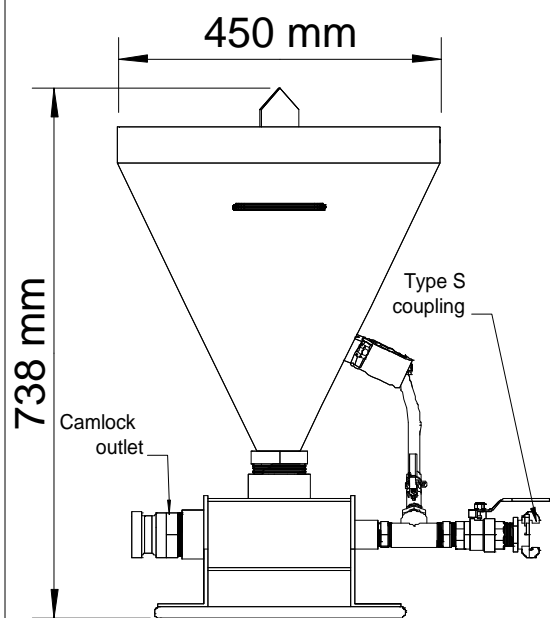
**12HD001cam**  
(standard unit with camlock)



**12HD001aa**  
(c/w vibrator and camlock)



**12HD011**  
(standard unit with camlock)



**12HD011a**  
(c/w vibrator and camlock)



*Designers and  
manufacturers of  
mining and construction  
equipment*

A.B.N. 42 050 287 173 | A.C.N. 050 287 173

## SALES

ph. 612 4272 8311  
fx. 612 4272 8533  
30 Waverley Drive  
Unanderra NSW 2526  
cmsadmin@bigpond.com

## ACCOUNTS

ph. 612 4271 4036  
fx. 612 4271 4015  
30 Waverley Drive  
Unanderra NSW 2526  
clarksmineaccounts@bigpond.com